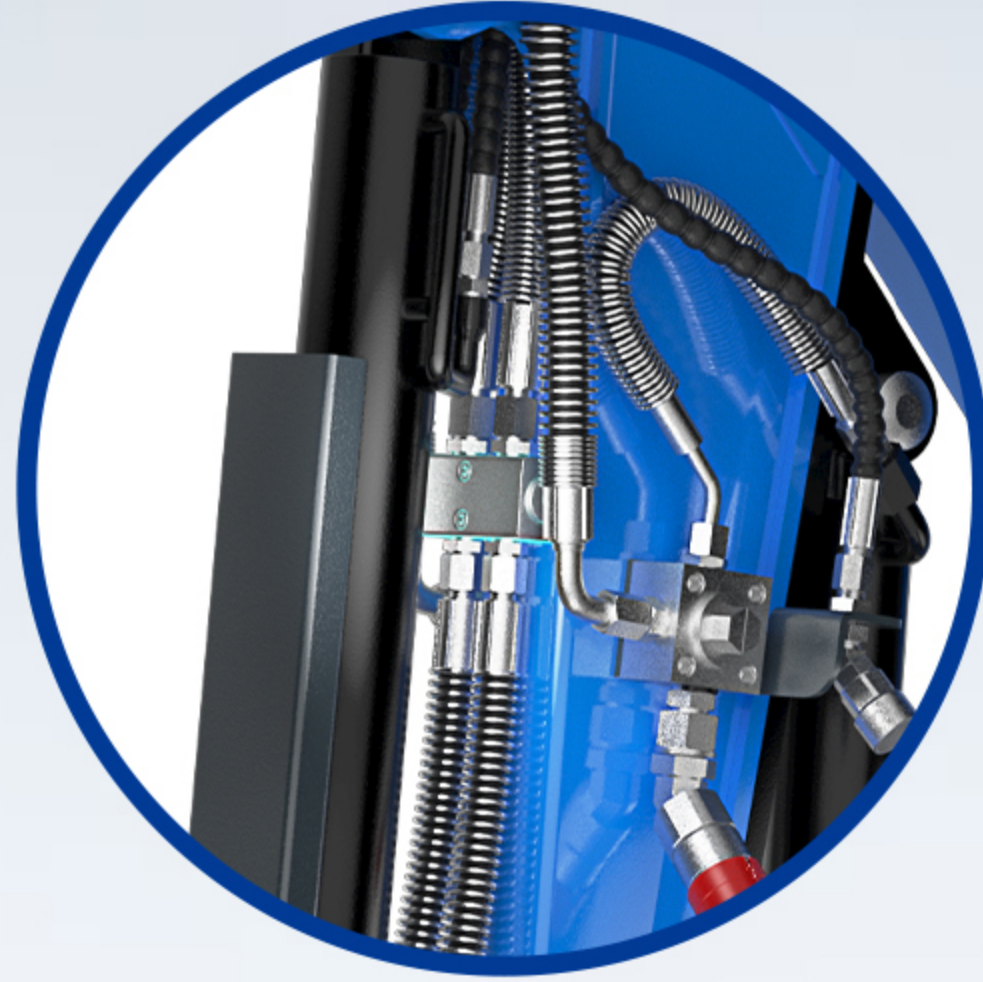




Four pipelines + Globe valve



Hydraulic quick-change switch



Bilateral Armrest Boxes with Lift-Up Functionality



Hydraulic Oil Cooler



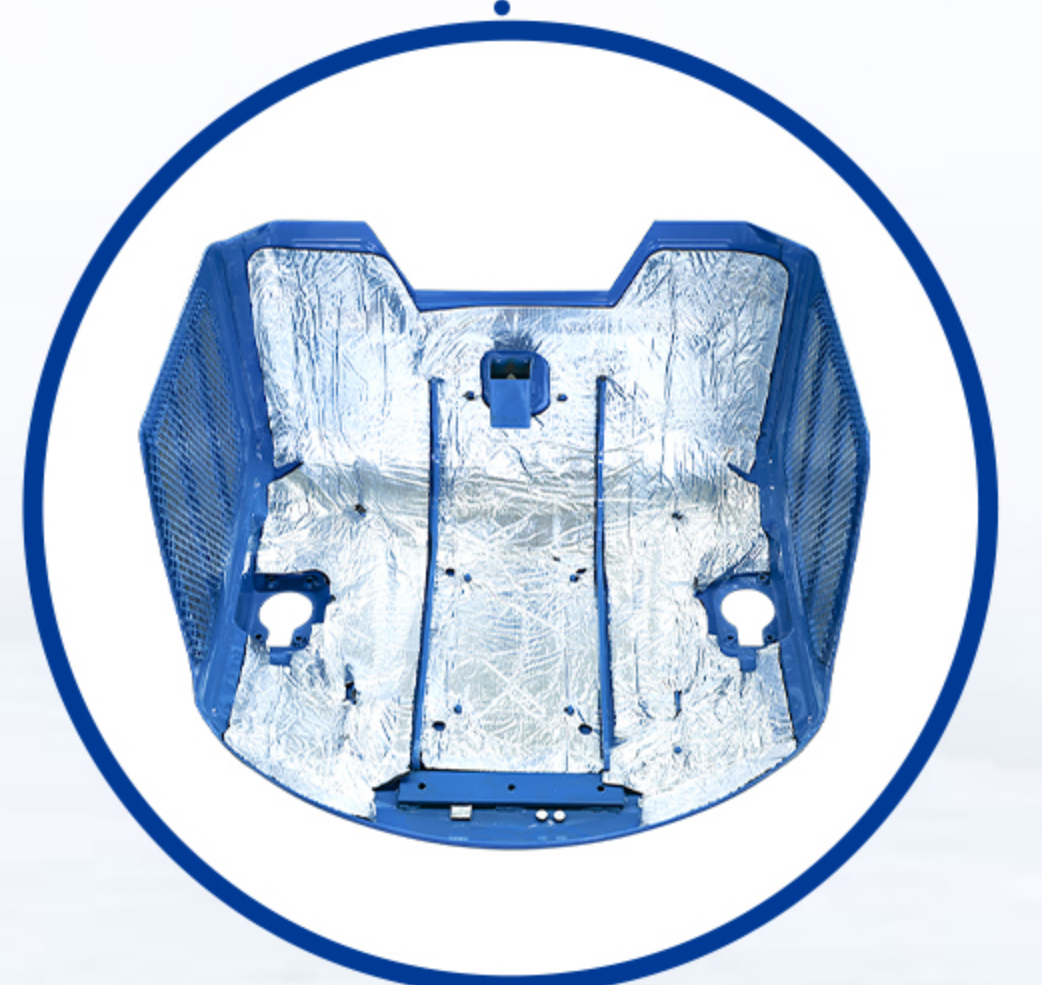
Integrated Casting of Boom Bracket



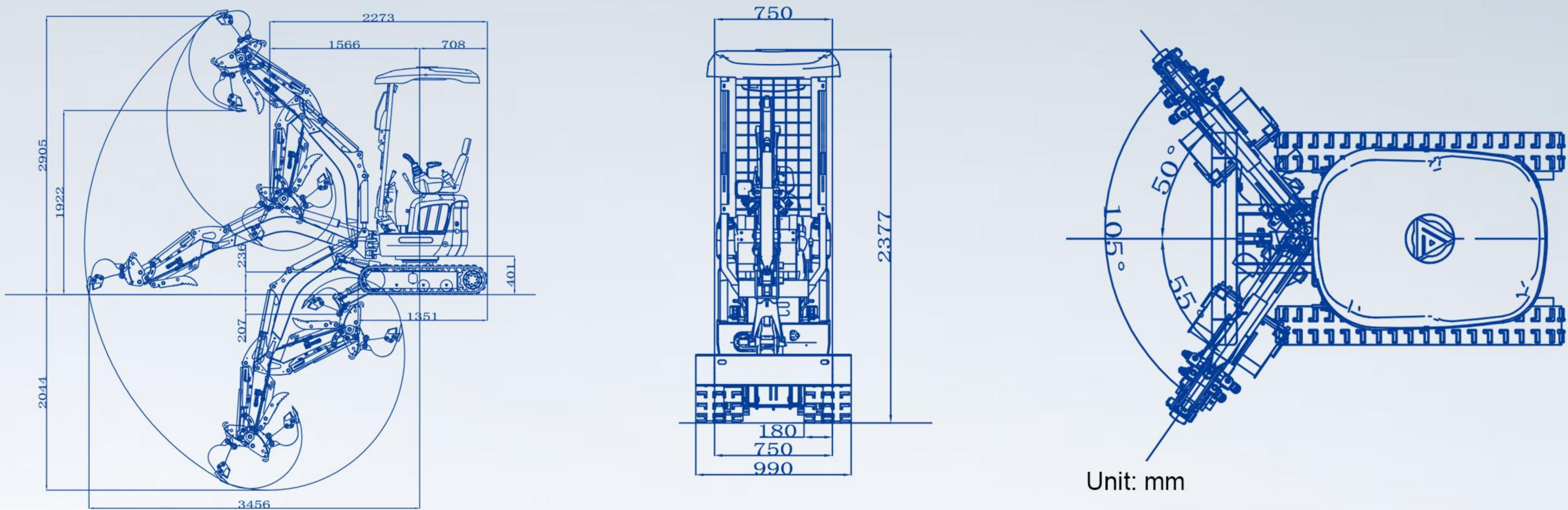
Steel tracks + rubber blocks for durability and ground protection



3 pumps combined configuration



5mm thermal insulation cotton



Basic parameters

Machine working weight	2904lb	1320 kg
Bucket capacity	0.494ft ³	0.014 m ³
Travel speed low/high speed	0-1.1/0-1.74mph	0-1.8/0-2.8 km/h
Gradeability	30%	30 %
Ground pressure	3.89psi	26.79 kpa
Maximum digging force	2203lbf	9.8 kN
Maximum digging radius	136.1in	3456 mm
Maximum digging depth	80.5in	2044 mm
Maximum digging height	114.4in	2905 mm
Maximum unloading height	75.7in	1922 mm
Maximum deflection angle	105°	105°
Track extension range	29.5-39in	750-990 mm
Engine brand	Kubota	Kubota
Engine model	D722	D722
Maximum horsepower	13.7hp	13.9ps
Maximum power	10.2kw	10.2 kw
Maximum speed	2500rpm	2500 rpm
Displacement	0.19gal	0.719L
Number of cylinders	3	3
Cooling method	Water-cooled	Water-cooled
Engine oil change amount	0.66gal	2.5L
Fuel form	Diesel	Diesel
Fuel grade	0/-10	0/-10
Theoretical fuel consumption	1.1-1.5L/h	1.1-1.5L/h

Body

Transport length	89.5in	2273mm
Transport width	33.4in	849mm
Transport height	93.6in	2377mm
Counterweight ground clearance	15.8in	402mm
Bucket width	15.7in	400mm
Boom length	57.1in	1450mm
Arm length	34.6in	880mm
Bulldozer blade width	29.5-39in	750-990mm

Hydraulic system

Maximum set pressure	2611psi	18MPa
Travel hydraulic motor type	WDM-390 dual-speed travel motor	
Travel motor brand	Paiyi	Paiyi
Motor displacement	390ml/r	390ml/r
Slewing hydraulic motor type	BM2-315	BM2-315
Displacement	315ml/r	315ml/r
Main pump type/model	Gear pump/305+305+303	
Main pump brand	Tianjin walking	Tianjin walking
Main pump maximum flow	6.6GPM	25L/min
Multi-way valve	THD12 multi-way valve	
Multi-way valve brand	Taifeng	Taifeng
Rated set pressure	2466psi	17MPa

SCENARIO APPLICATION

The RIPPA R13 is a 1.3-ton mini excavator with a retractable undercarriage, zero tail swing, and standard steel tracks with rubber pads — ideal for tight-access worksites like indoor areas, gated properties, or paved surfaces. It can fit through elevators or narrow doorways and is perfect for trenching, small-scale demolition, landscaping, and utility work. The protective canopy adds safety for operators.

Dealer / Name:

WhatsApp / Phone:

Address:

Email: