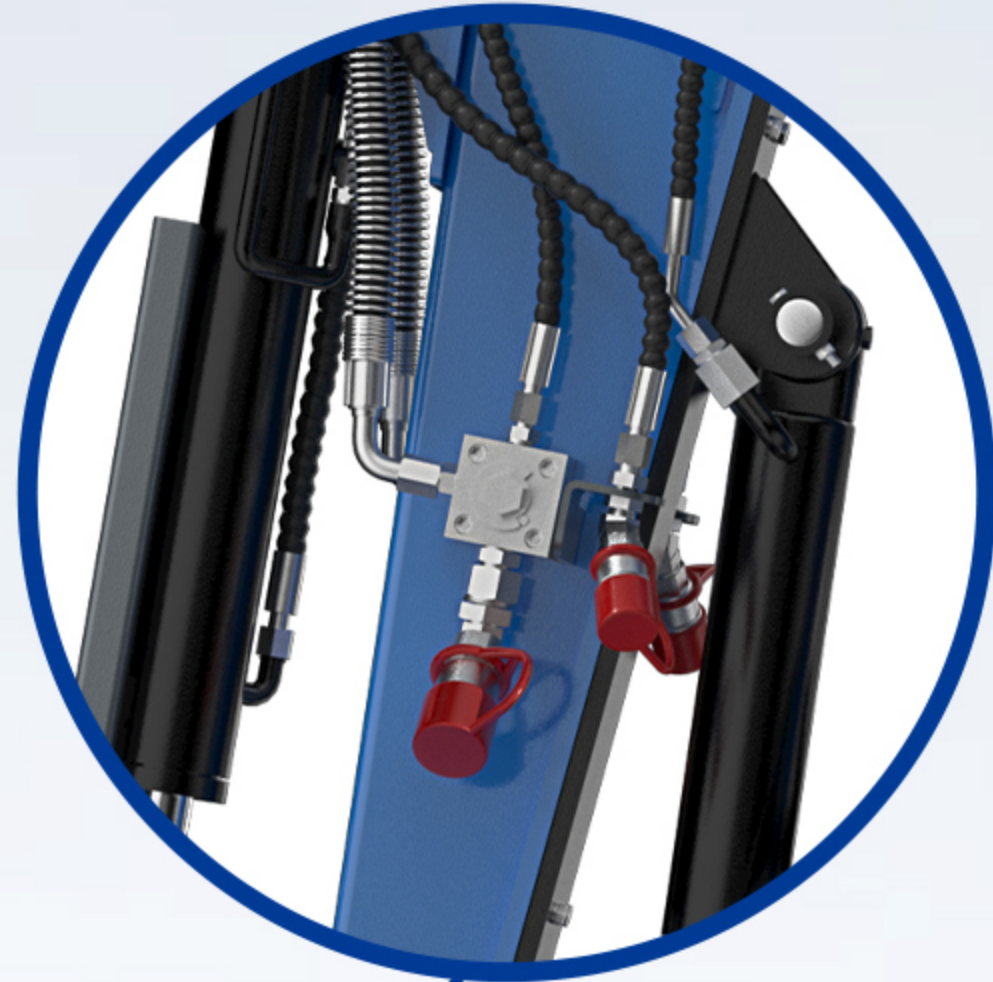




Four-way pipeline



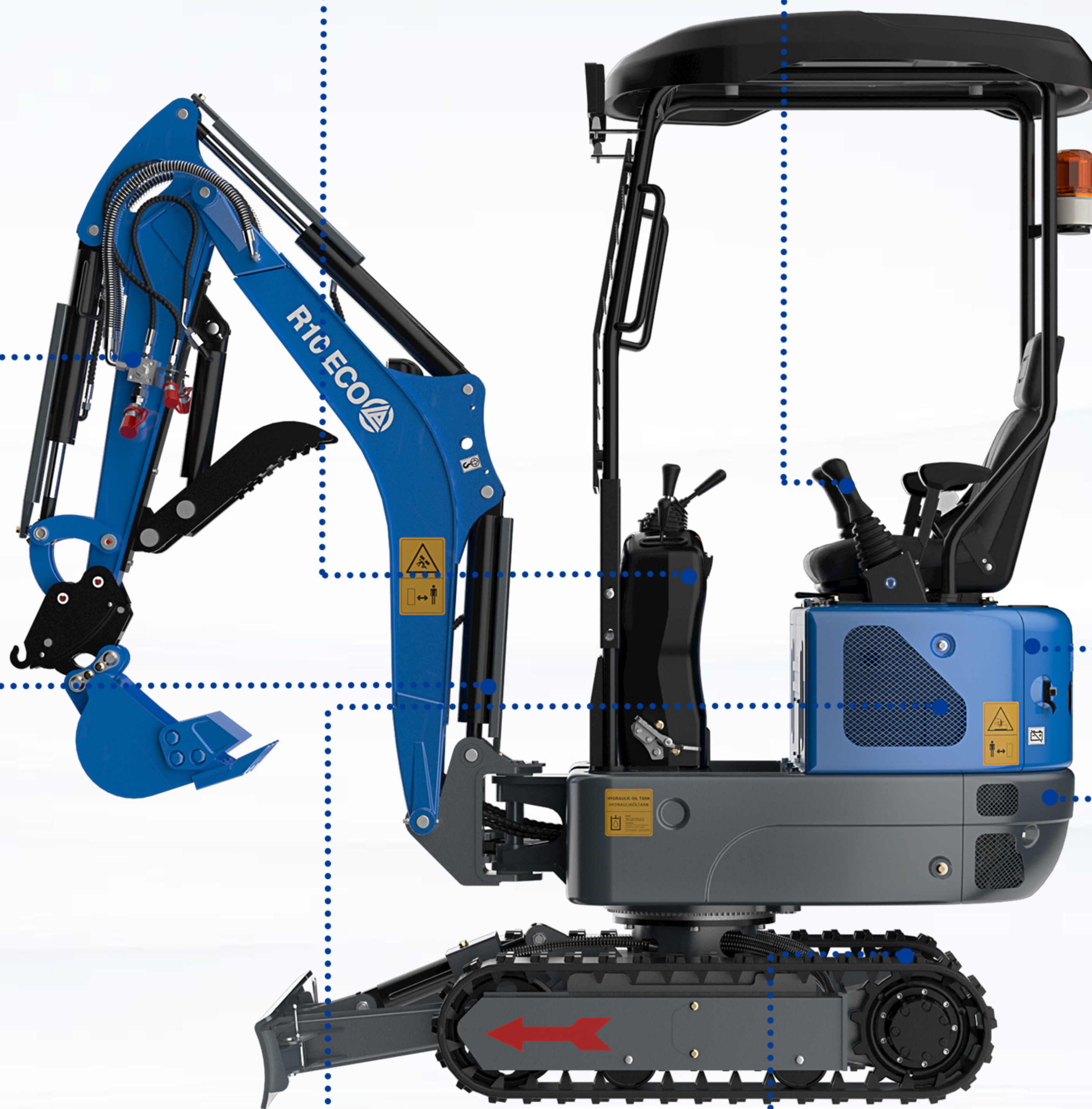
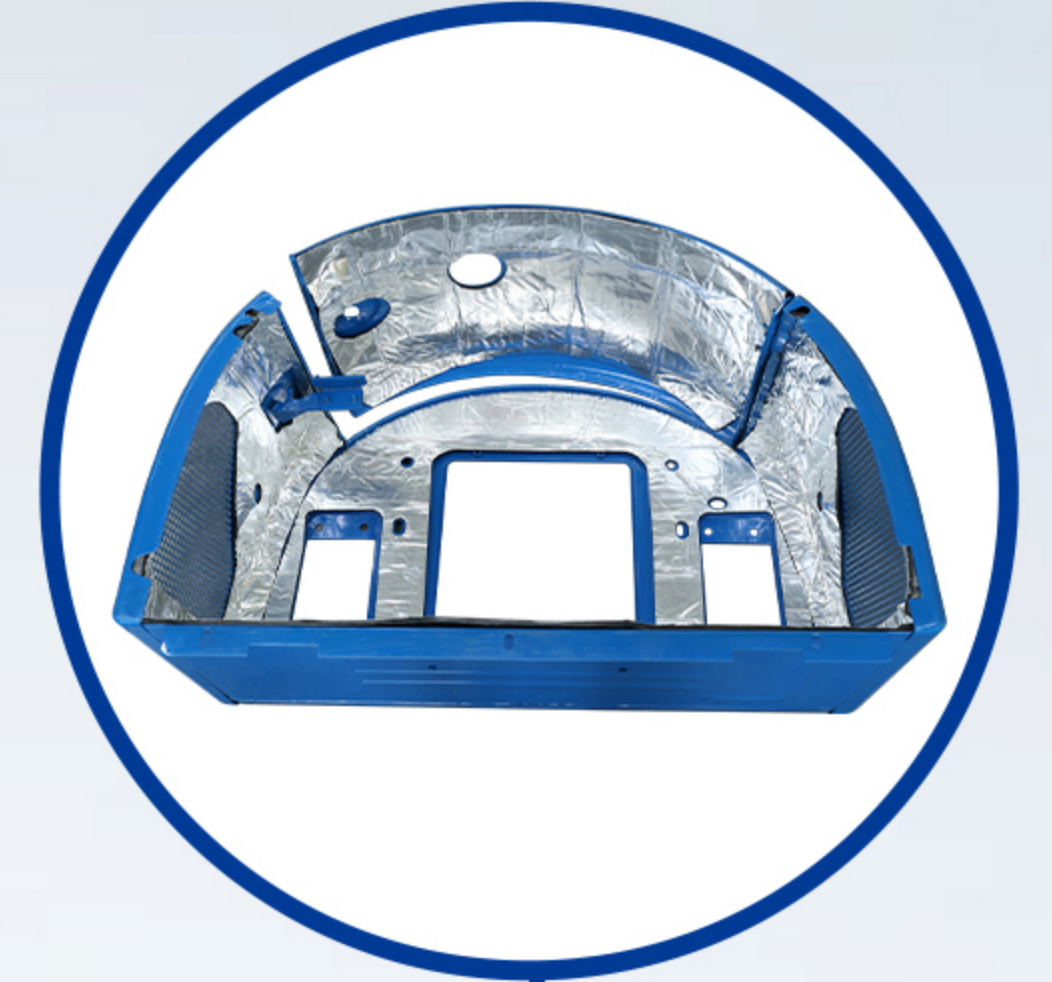
Operator protection hydraulic lock



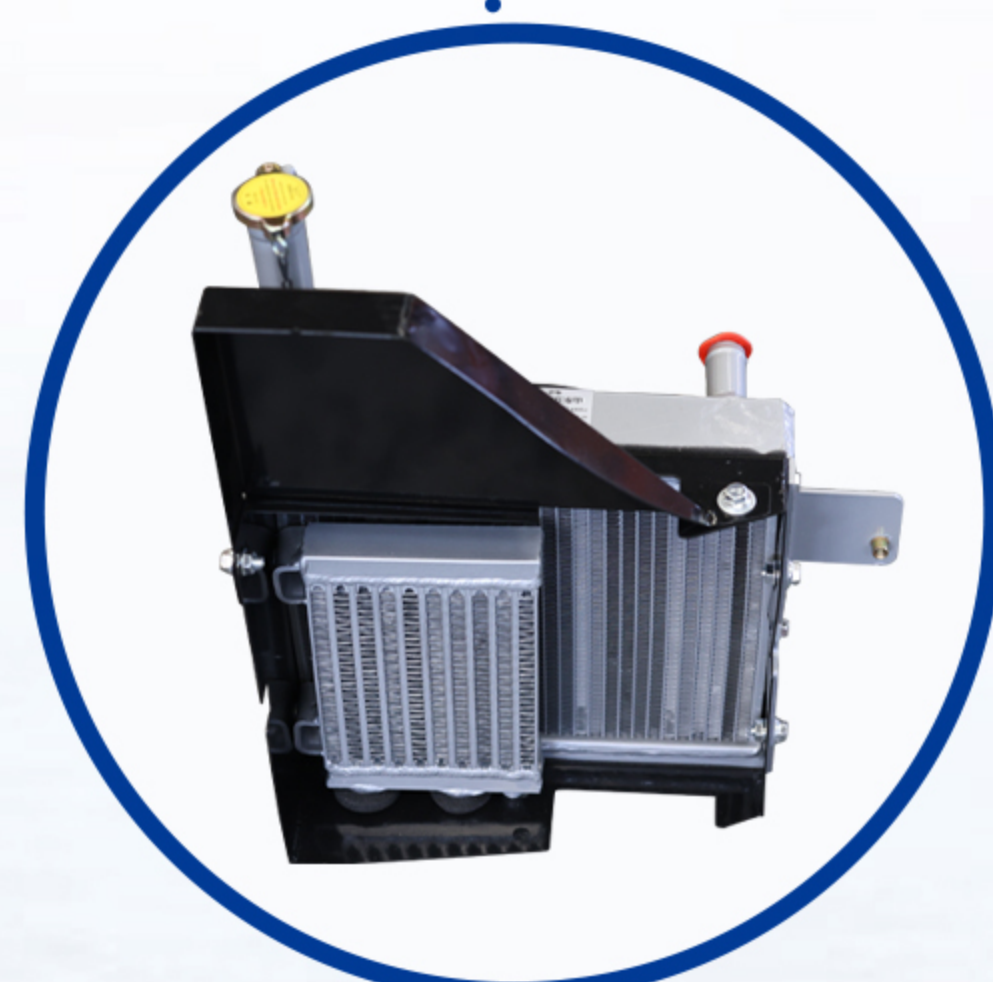
Bilateral Operation system



5mm thermal insulation cotton



Top-mounted boom cylinder + cylinder guard plate



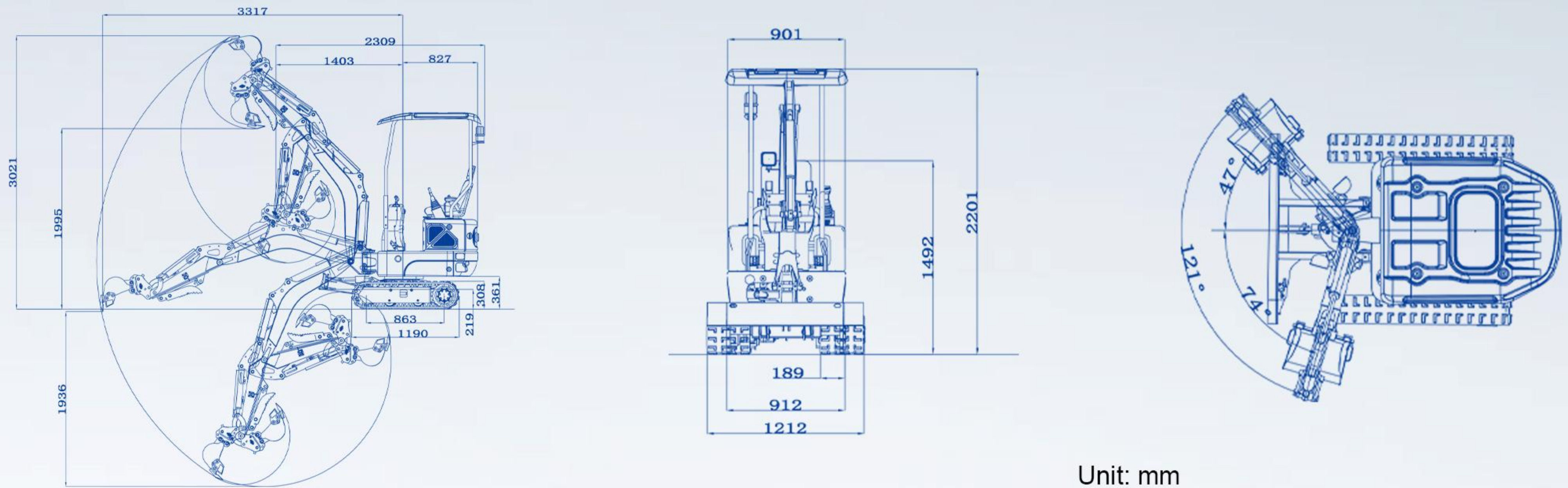
Hydraulic oil radiator



Built-in motor



Added counterweight



Unit: mm

Basic parameters	Machine working weight	2244lb	1018kg
	Bucket capacity	0.49ft ³	0.014m ³
	Travel speed low/high speed	0-0.93mph	0-1.5km/h
	Gradeability	30%	30%
	Ground pressure	3.7psi	25.53Kpa
	Maximum digging force	2068lbf	9.2kN
	Maximum digging radius	127.3in	3233mm
	Maximum digging depth	72.2in	1833mm
	Maximum digging height	118.9in	3021mm
	Maximum unloading height	88.5in	2247mm
	Maximum deflection angle	121°	121°
	Track extension range	35.4-47.2in	900-1200mm
Engine	Engine brand	Youp/B&S/kubota	Youp/B&S/kubota
	Engine model	192F/B&S/Z482	192F/B&S/Z482
	Maximum horsepower	10.1/13.4/11hp	10.2/13.6/11.2ps
	Maximum power	7.5/10/8.2kw	7.5/10/8.2kw
	Maximum speed	3000/3600/3000rpm	3000/3600/3000rpm
	Displacement	0.132/0.11/0.13gal	0.499/0.42/0.479L
	Number of cylinders	1/1/2	1/1/2
	Cooling method	Air Cooling/Air Cooling/Water Cooling	
	Engine oil change amount	0.35/0.25/0.4gal	1.325/0.95/1.5L
	Fuel form	Diesel/gasoline/Diesel	Diesel/gasoline/Diesel
	Fuel grade	0/-10	0/-10
	Theoretical fuel consumption	0.8-1.2L/h	0.8-1.2L/h

Body	Transport length	95.7in	2430mm
	Transport width	35.9in	912mm
	Transport height	86.7in	2201mm
	Counterweight ground clearance	14.2in	361mm
	Bucket width	11.8in	300mm
	Boom length	58.1in	1477mm
	Arm length	31.5in	800mm
	Bulldozer blade width	35.9-47.7in	912-1212mm
	Hydraulic system	Maximum set pressure	2611psi
Travel hydraulic motor type		WDM-300	WDM-300
Travel motor brand		Paiyi	Paiyi
Motor displacement		315ml/r	315ml/r
Slewing hydraulic motor type		BM2-315	BM2-315
Displacement		315ml/r	315ml/r
Main pump type/model		Gear Pumps 306	Gear Pumps 306
Main pump brand		Tianjin Walking/Shengjie	
Main pump maximum flow		4.76GPM	18L/min
Multi-way valve		2+2+5-way multi-way valve	
Multi-way valve brand		Tengfei	Tengfei
Rated set pressure		2466psi	17MPa

SCENARIO APPLICATION

The RIPPA R10 is a compact 1-ton mini excavator designed for tight spaces and light-duty jobs. It's perfect for backyard landscaping, trenching, fence installation, small foundation work, and irrigation tasks. Widely used by homeowners, landscapers, and utility workers in urban areas.

Dealer / Name:

WhatsApp / Phone:

Address:

Email: